



Electrolux
PROFESSIONAL

Standard Preparation 2600 mm Work Table with underframe

ITEM # _____

MODEL # _____

NAME # _____

SIS # _____

AIA # _____



133225 (TG2600N)

Work Table with underframe,
2600 mm

Short Form Specification

Item No. _____

The 50mm high worktop in 304 AISI stainless steel, 1mm in thickness, has upturned edges and incorporates a layer of sound deadening, waterproof and fireproof material. Square section legs 40x40mm on 1" height-adjustable feet in 304 AISI stainless steel.

Main Features

- Ideal for central positioning in the kitchen, either as island installation or back to back.

Construction

- 50 mm worktop in 304 AISI stainless steel, 10/10 in thickness with upturned edges and reinforced waterproof underpanel, incorporates a layer of sound deadening materials.
- 400 or 600 mm wide single drawer, chest of 4 drawers, lower shelf, three-sided underframe and set of castors as alternative to the feet, can be fitted as optional on all work tables.
- 40 mm-thick lower shelf (available as optional accessory on some models) slots easily into place at a height of 200 mm from the floor. Lower shelf is compulsory to install the chest of drawers.
- Square section legs and 40 mm height-adjustable feet in 304 AISI stainless steel.
- Table top slots into legs without using screws to facilitate installation.
- Provided with three-sided underframe as standard accessory.

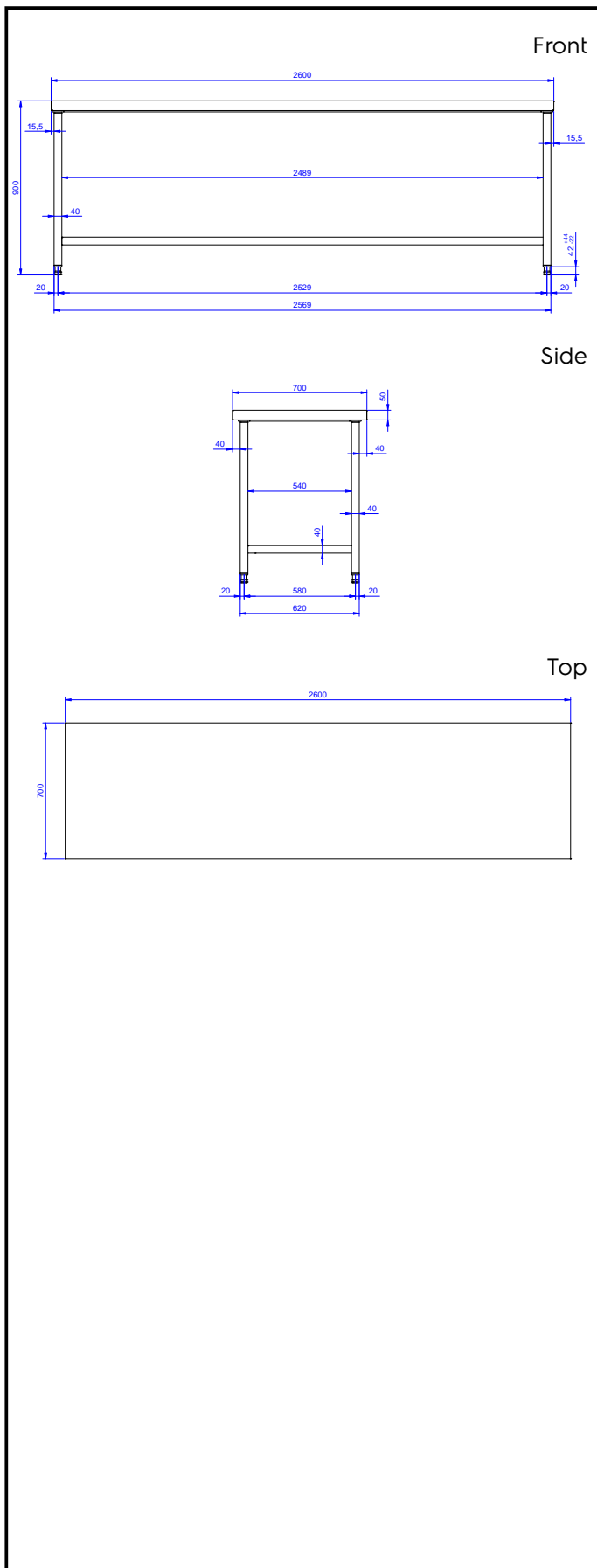
Optional Accessories

- Set of 4 wheels (2 with brake) d. 100mm for tables and sinks (total height on wheels= 993 mm) PNC 855150
- Single drawer GN 1/1, 400mm PNC 855280
- Single drawer, 600mm PNC 855281
- Additional drawer, 600mm (to set up a chest of 2, 3, 4 drawers) PNC 855295
- Additional drawer GN 1/1, 400mm (to set up a chest of 2, 3, 4 drawers) PNC 855298
- Lower shelf for 2600 mm tables and sinks PNC 855366

APPROVAL: _____



Experience the Excellence
www.electroluxprofessional.com



Key Information:

| | |
|------------------------------|---------|
| External dimensions, Width: | 2600 mm |
| 133225 (TG2600N) | |
| External dimensions, Depth: | 700 mm |
| External dimensions, Height: | 900 mm |
| Worktop thickness: | 50 mm |
| Net weight: | 91 kg |